

Verification level and communication

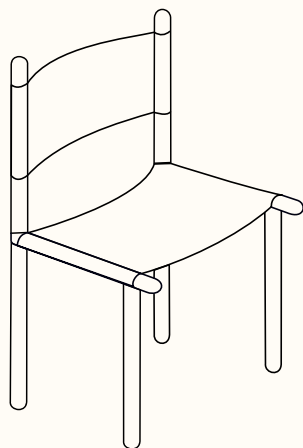
The validity of the results generated by our screening tool is naturally highly dependent on input data. Our tool is very complex on the inside and contains a huge amount of trustworthy data, but if one enters wrongful or lacking information about a product, the results will reflect it. Missing data will automatically be replaced by conservative estimates corresponding to PEF recommendations. Here we will explain how you may use your non-verified screening results.

Self-assessment

If you decide not to get your results verified by either Målbar or third party, you can only publish the worst-case scenario result because of the potential impact of missing data, and because your input data hasn't been validated. When publishing a worst-case result, it is important that you mention the lack of verification from Målbar or third party and that you alone are responsible for input data.

Worst-case is if lacking data would turn out to be the worst they could be while best case represent the potential result if missing data would turn out to be the best-case scenario.

Here is an example of how you may communicate a self-assessed screening result on a product in a B2B project report:



Chair:
Aluminum base and recycled polyester seat and back

Climate impact:
No more than 190 kg of CO₂eq

Mandatory disclaimer – all the below information must be presented alongside the screening result

This screening result reflects an emission estimated to be no greater than 190 kilos of CO₂e. The result is obtained through a self-assessment using the MÅLBAR software [v. 2.9612]. The screening has not been verified by Målbar or third party. The results in this report are not intended for communication towards the private consumer [B2C] but only for the professional market [B2B]. The calculations are performed on 15.05.2023 and valid in 1 year from this date.

Standard for calculation

This climate footprint report is calculated according to EU's rules for Product Environmental Footprint [PEF]. When data was not available from the brand owner, conservative estimates has been applied. All phases of the product lifecycle are included in the calculation. For the phases after factory gate; Use Phase and Disposal, conservative estimates build from the PEF rules are applied. Specifically, the disposal is calculated based on an EU average.

Målbar only reports on Climate Impact.

The data sources behind these calculations are:

EcolInvent 3.8 and EF 3.0 and 3.1 PEF data as well as PEF compliant LCA data [read more here: www.maalbar.dk/transparency/].

Method of data application

This report is generated by using MÅLBAR's Climate Screening Tool with the brand owner performing a self-assessment, with no external verification.

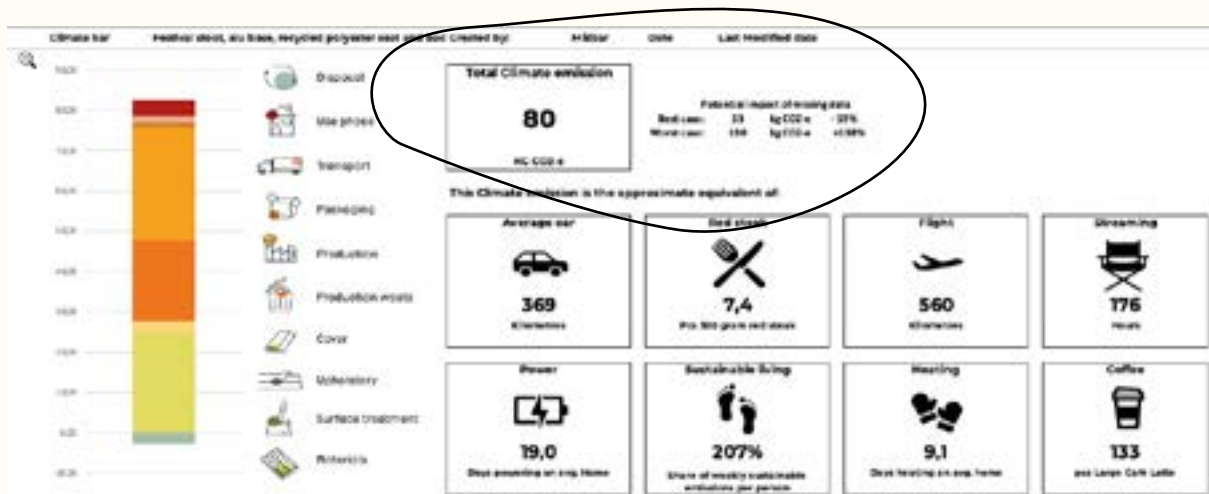
Responsibility of data

It is the sole responsibility of the Brand Owner concerning all Input data [including: material and packaging weights and dimensions, origins of production and material, and transport, warehouse and retail information].

You cannot :

- Separate the main result from the best - and worst-case range – they have to be presented on the same page
- Avoid communicating the worst case scenario
- Say or write that the result is third party verified
- Say or write that the result is an official PEF result

When your screenings are verified by Målbar, a full project report including disclaimers will be provided to you.



Screenshot of output side with highlighted results